



## ENDÜSTRİYEL ELEKTRONİK

İktisadi Org. San. Bölğ. Trako Center 7-ın Blok

No: 301 - 303 İktisadi - İstanbul

Tel: 0212 671 59 12 - 671 59 28 - 647 59 42 Fax: 0212 671 59 43

www.gestr.com - e-mail: info@gestr.com

# ***MD03***

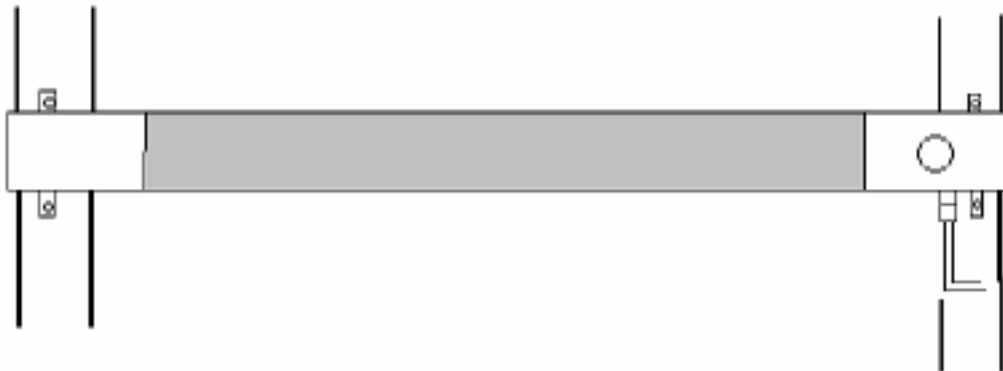
## ***MANUAL INSTRUCTION***

### ***(GES-T-13) ISO9001:2000***



# MD03 METAL DEDECTOR MANUAL INSTRUCTION

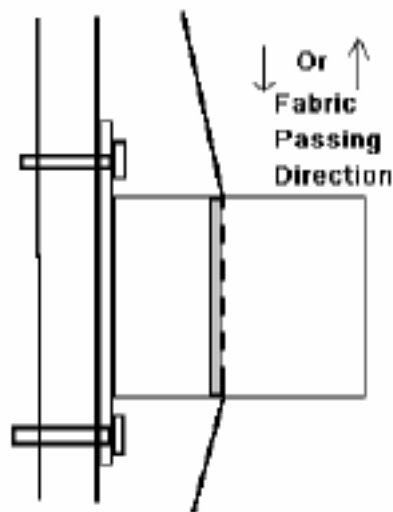
## GES MD03 METAL DEDECTOR FITTING GRAPH



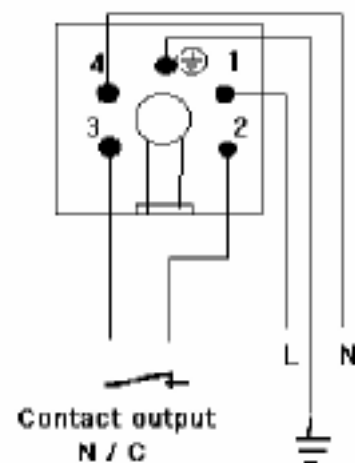
1-



2-



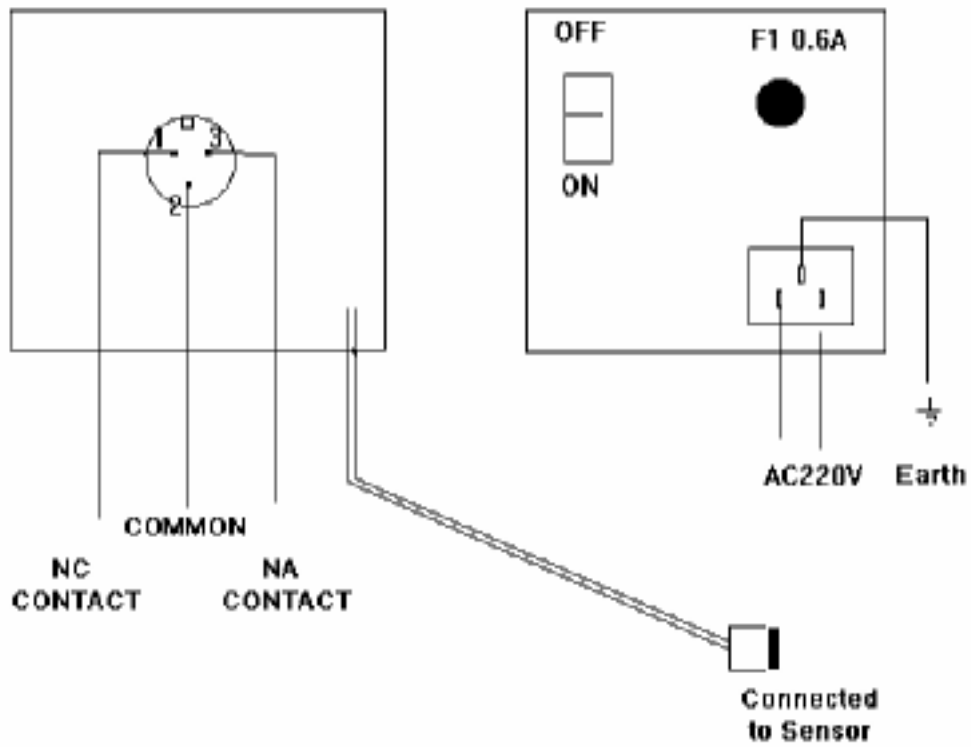
### Sockets Cable Connection Side



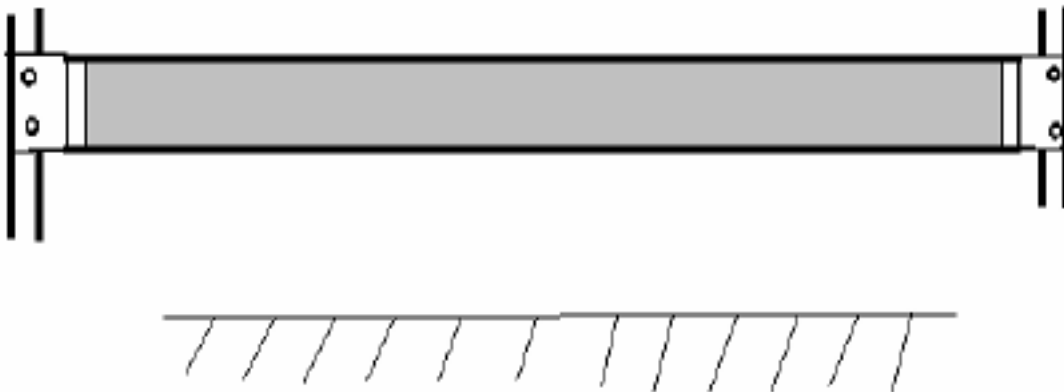
AC 220 V

- **Simply** follow the **Graph** shown above While applying **Mechanical** assembling (Sensing Part shall not face upwards or downwards Graph No:1)
- **Certainly**, Fabric Shall touch sensing part of MD03 Graph No:2

**MD03 OUTPUT CONTACTS**



- Certainly, connect instrument to ground
- Certainly, fit the instrument by setting Sensing part of MD03 Perpendicular to the ground



**Certainly, Fabric Shall touch sensing part of MD03**

